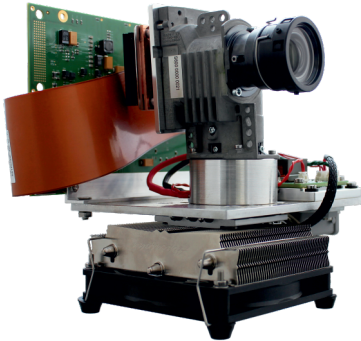


STAR-065 3.0 EVM | STAR-07 3.0 EVM

Options: UV VIS NIR



Monochrome LED projection module



STAR-065 3.0 EVM and STAR-07 3.0 EVM monochrome LED light engines are high performance DLP® projectors based upon the Texas Instruments micromirror technology and designed to serve in demanding industrial or research applications.

Four different EVM modules are available:

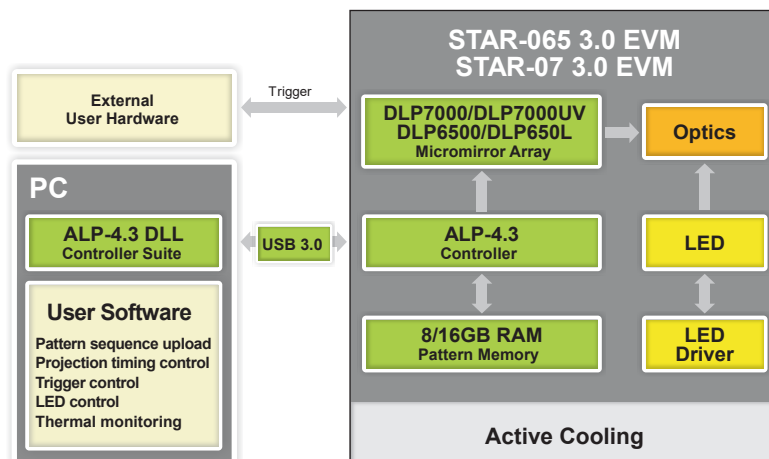
- STAR-065 3.0 EVM Option VIS (part no.: 9769)
- STAR-065 3.0 EVM Option NIR (part no.: 9747)
- STAR-07 3.0 EVM Option VIS (part no.: 9765)
- STAR-07 3.0 EVM Option UV (part no.: 9764)

Specifications

	STAR-065 3.0 EVM	STAR-065 3.0 EVM	STAR-07 3.0 EVM
Options	VIS	NIR	VIS/UV
Supported DMD	0.65" 1080p (VIS)	0.65" WXGA (NIR)	0.7" XGA (VIS/UV)
			
Supported V-Modul	V-6501 VIS	V-650L NIR	V-7001 VIS V-7001 UV
Chipset	DLP6500 & DLPC910	DLP650LNIR & DLPC410	DLP7000 & DLPC410 DLP7000UV & DLPC410
Max. Switching Rate 1bit B/W	10 309 Hz	10 752 HZ	22 727 HZ
Wavelength range	400 - 700 nm	800 - 2 000 nm	VIS: 400 - 700 nm UV: 363 - 420 nm

System Architecture

The central control unit of the STAR-065 3.0 EVM and STAR-07 3.0 EVM are connected via USB 3.0 and enables patterns to be uploaded, displayed and synchronised. An integrated trigger device supports a wide voltage range at the optocoupler interface and is programmable via software. The digital driver for the LED light source allows convenient access to the power setting and temperature measurement for thermal management.



The STAR 3.0 EVM monochrome LED light engines are based upon the STAR CORE optics, a cooling system, the ALP-4.3 software, and integrate a high-power LED including the ViALUX LED driver for up to 24A.

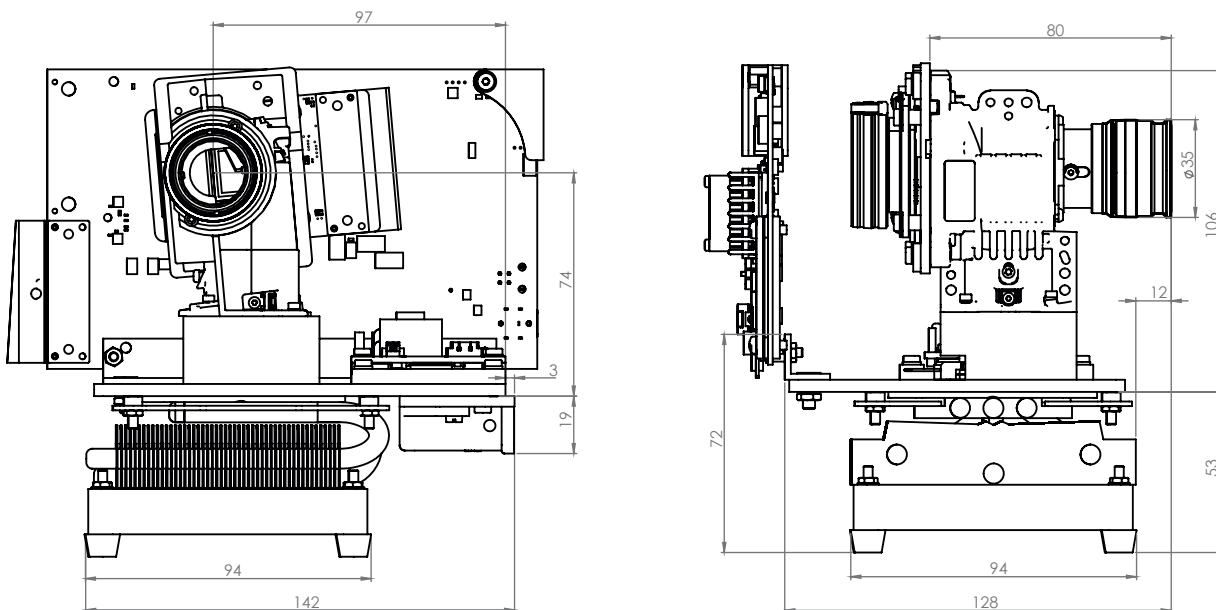
The following LED wavelengths are available for:

- λ [nm] = 405 / 460 / 525 / 615 / White (DLP6500)
- λ [nm] = 730 / 850 / 940 (DLP650LNIR)
- λ [nm] = 405 / 460 / 525 / 615 / White (DLP7000)
- λ [nm] = 365 / 385 / 405 (DLP7000UV)

The ViALUX LED driver of the STAR 3.0 EVM is controlled by I²C commands for setting the LED current and reading the LED thermistor output and seamlessly integrates with our V-Modules.

Dimensions of STAR 3.0 EVM [mm]

with SuperSpeed V-650L NIR (as an example)



Power supply of STAR 3.0 EVM

STAR 3.0 EVM comes with its own power supply designed for the ViALUX LED driver with a maximum output of 24A DC.

Specifications: Input 100 – 240 V ~ 2A, 50 – 60 Hz
Output 19 V / 7.89 A

Rev.-Nr.: P-23-12-194



VIALUX